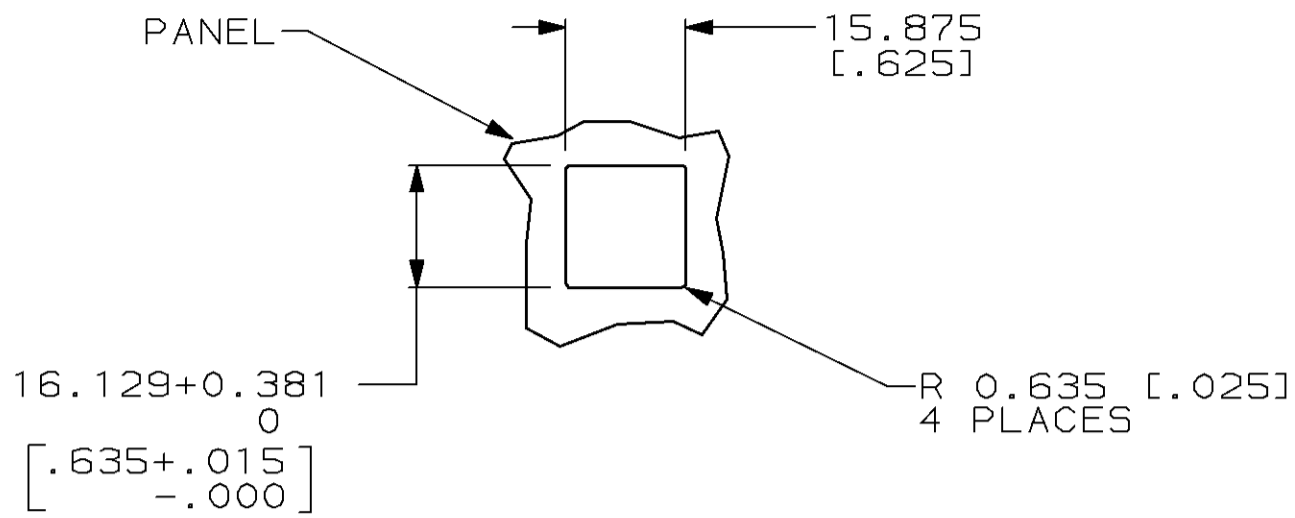
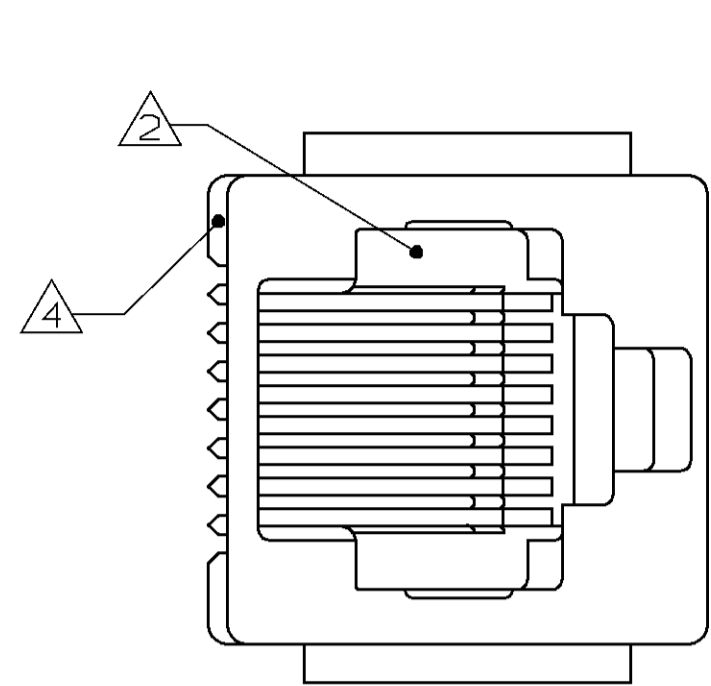
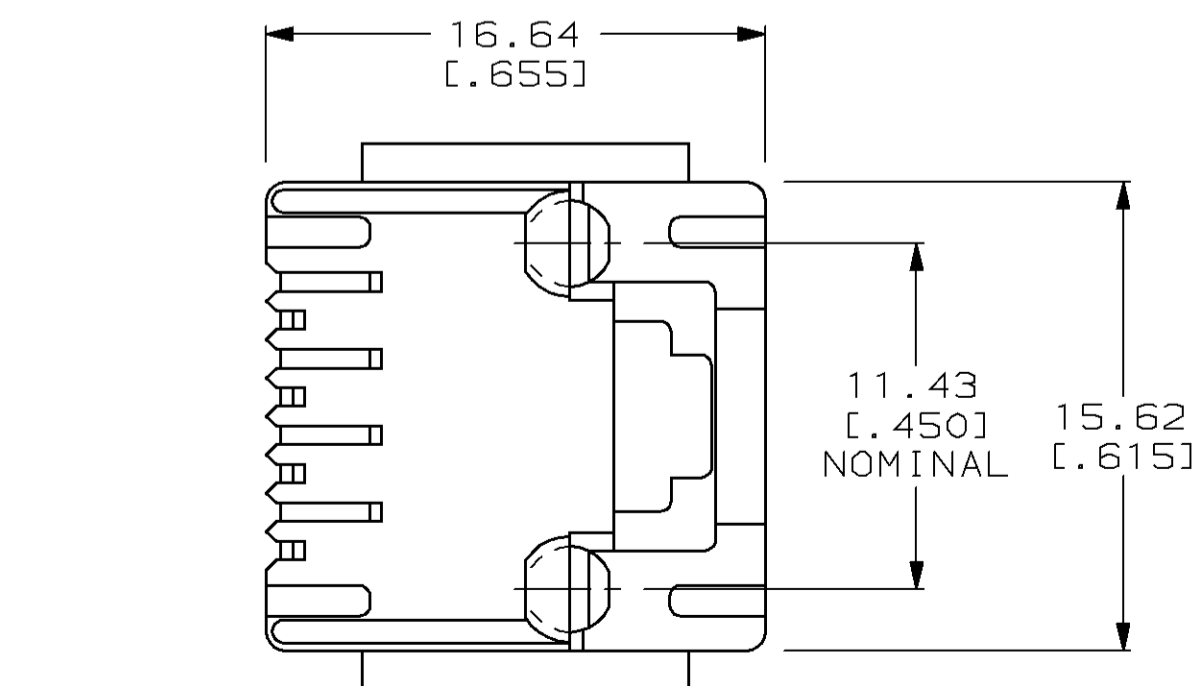
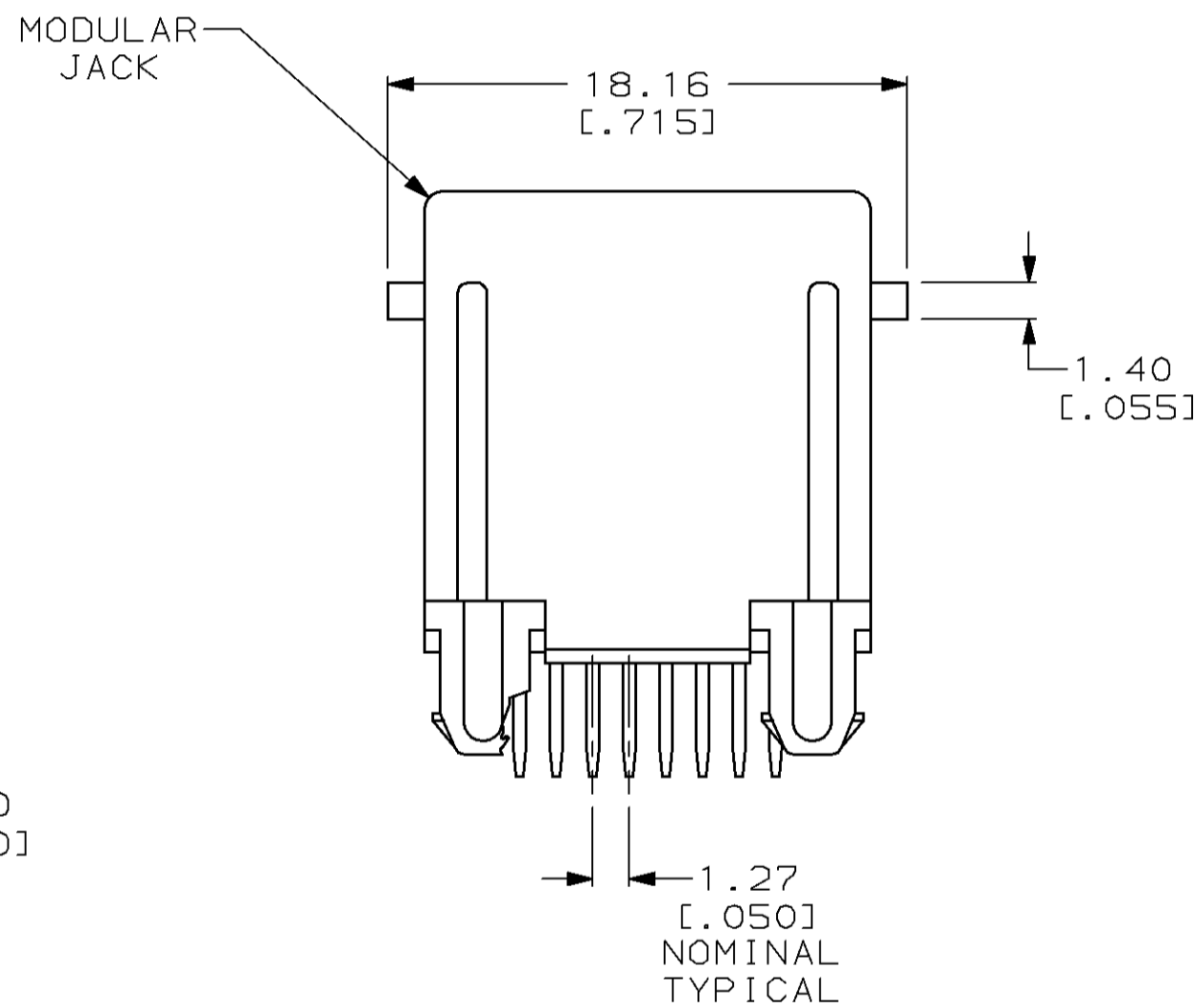
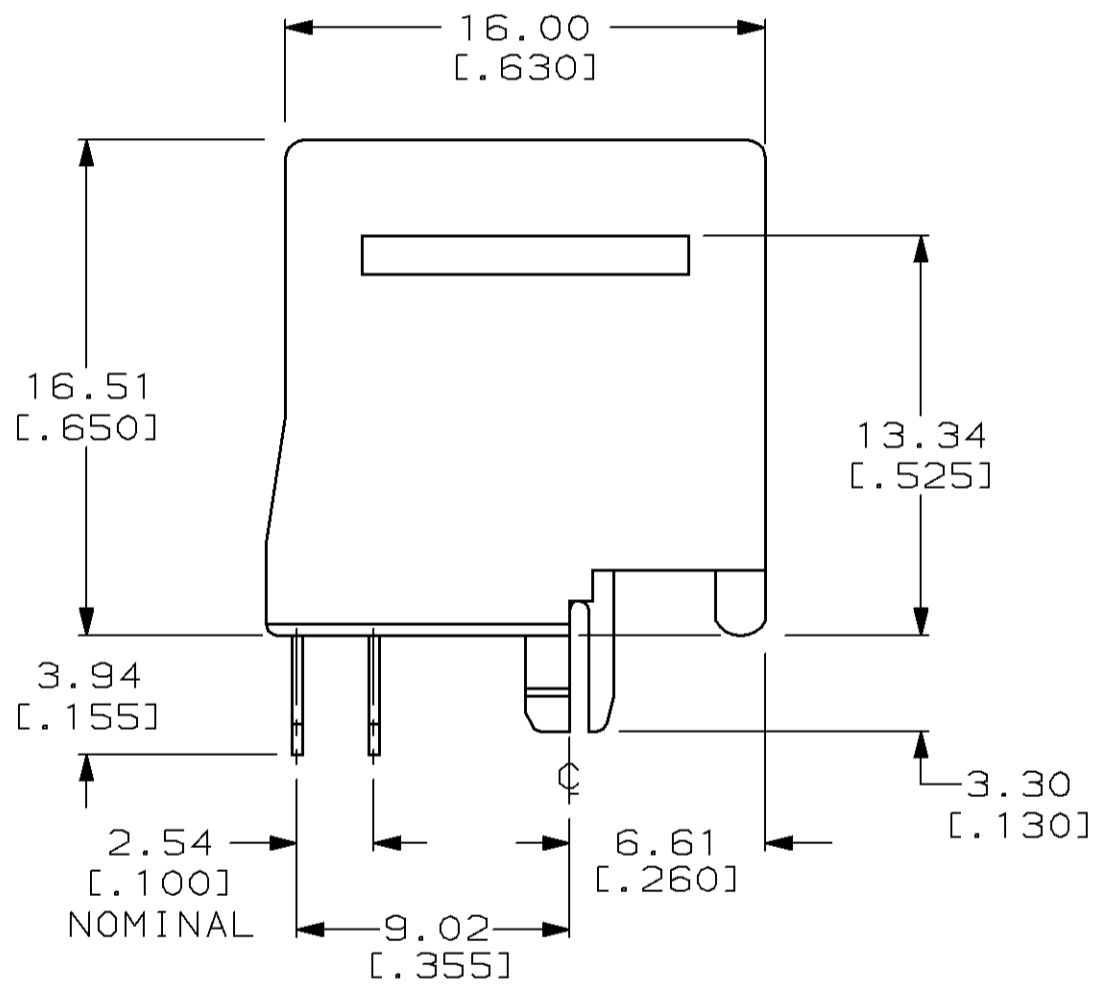


THIS DRAWING IS UNPUBLISHED. RELEASED FOR PUBLICATION
 © COPYRIGHT 19 BY AMP INCORPORATED. ALL RIGHTS RESERVED.

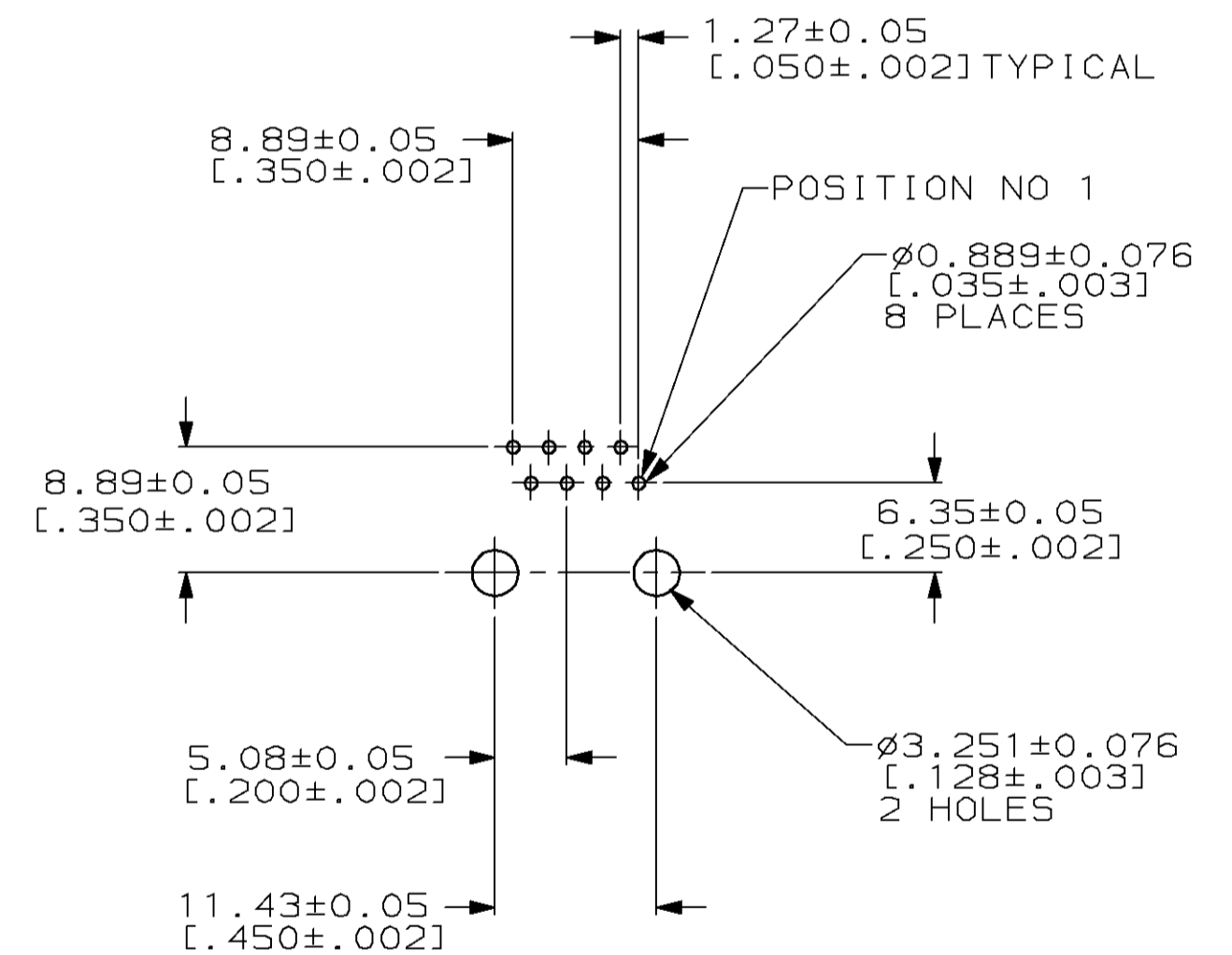
Loc		DIST		REVISIONS			
P	LTR	DESCRIPTION		DATE	DWN	APVD	
AA	22	S	REV; EC 0502-0328-97	04JUN97	DS	DW	



PANEL CUTOUT
SCALE 1:1



- 1 MATERIAL: HOUSING- PBT POLYESTER, BLACK. TERMINAL- 0.35 [.0138] THICK PHOS BRONZE PLATED WITH 1.27µm [.000050] THICK HARD GOLD IN LOCALIZED GOLD PLATE AREA AND 2.03µm [.000080] THICK TIN-LEAD IN SOLDER AREA OVER 1.27µm [.000050] THICK NICKEL UNDERPLATE.
- 2 CAVITY CONFORMS TO FCC RULES AND REGULATIONS PART 68 AND REA BULLETIN 345-81, PE-76 SPECIFICATION FOR MODULAR TELEPHONE HARDWARE.
- 3. ALL DIMENSIONS SHOWN ARE MAXIMUM UNLESS OTHERWISE SPECIFIED.
- 4 VENDOR DESIGNATION SHALL BE THE LETTER "A" ON THIS SURFACE.



PRINTED CIRCUIT BOARD LAYOUT
NON-COMPONENT SIDE SHOWN
SCALE 2:1

THIS DRAWING IS A CONTROLLED DOCUMENT FOR AMP INCORPORATED. IT IS SUBJECT TO CHANGE AND THE CONTROLLING ENGINEERING ORGANIZATION SHOULD BE CONTACTED FOR THE LATEST REVISION.		DWN L. MUSTAR/UTA 6-12-95	8	520259-4
DIMENSIONS: mm [inches]		CHK N. JONES 6-15-95	CONTACTS	PART NO
TOLERANCES UNLESS OTHERWISE SPECIFIED: 0 PLC ±- 1 PLC ±- 2 PLC ±- 3 PLC ±- 4 PLC ±- ANGLES ±- FINISH ±-		APVD E. LAURER 6-22-95	AMP Incorporated Harrisburg, PA 17105-3608	
MATERIAL		NAME E. LAURER	MODULAR JACK ASSEMBLY, TOP ENTRY, 8 POSITION, FLANGELESS, WITH PANEL STOPS	
1		PRODUCT SPEC 108-1163	SIZE C	CAGE CODE 00779
2		APPLICATION SPEC 114-2048	DRAWING NO C-520259	SCALE 4:1
3		WEIGHT -	SHEET 1 OF 1	REV 5
4		CUSTOMER DRAWING		